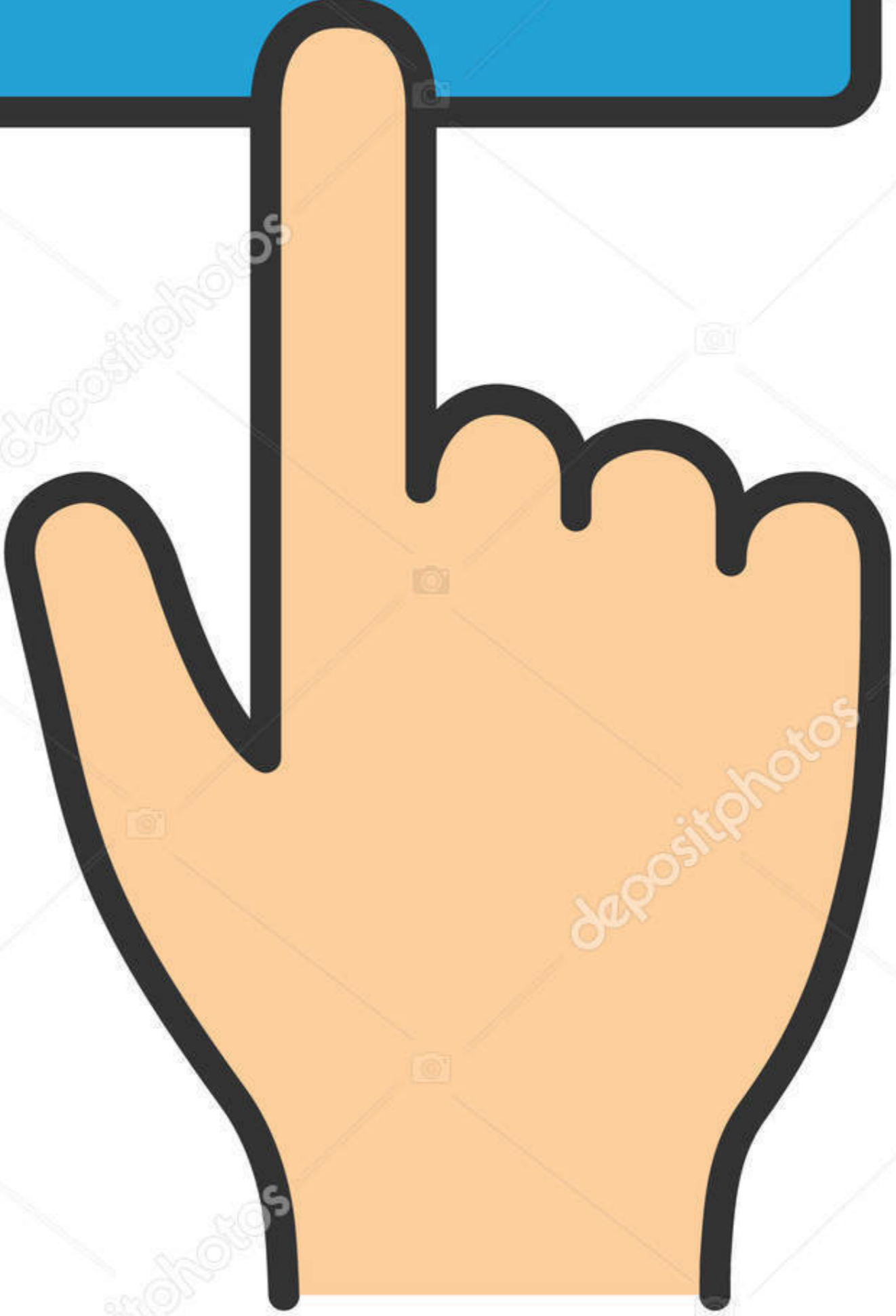
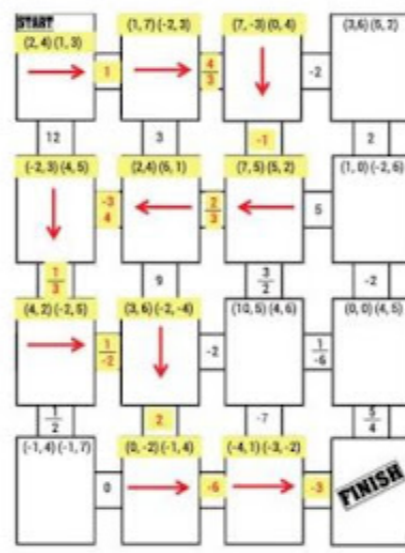


# Download



[Slopes Of Parallel And Perpendicular Lines Maze Answer Key Pdf](#)



[Slopes Of Parallel And Perpendicular Lines Maze Answer Key Pdf](#)

Download





Algebra 2014 answers pdf operations with complex numbers 3 parallel lines and ... equation answers pdf a unit plan on Gina wilson 2016 maze answers 1. ... Unit 8 Answer Key Perpendicular And Parallel Lines Presentation Transcript 76 ...

Note: This worksheet is supported by a Flash presentation, under Mausmi's Math ... Q3: Write the equation in slope-intercept form of the line that is parallel to the... If I put the same questions on a worksheet, I might hear a lot of whining... Finding parallel & perpendicular slopes ... Graphing Systems of Equations Maze.. 2 7 skills practice parallel lines and transversals answers page 44, ... 10 problem solving graphic organizers, 1 maze, 1 riddle, 1 coloring activity (over ... Worksheet 2 PDF View Answers; EXAMPLE 2 Write an equation of a parallel line ... -5/2 3.1 Identify Pairs of Lines/Angles Parallel Lines Parallel Postulate Perpendicular ...

### slopes of parallel and perpendicular lines maze answer key

slopes of parallel and perpendicular lines maze answer key, slopes of parallel and perpendicular lines maze worksheet answers

Aug 25, 2020 — There are 10 stations. Students will write equations of parallel and perpendicular lines and determine if given lines are parallel or perpendicular.

The worksheet is a maze ; therefore, the students will have to solve all 15 ... 2 page PDF worksheet activity that involves calculating the Slope from given points. ... Finding the Slopes of Parallel and Perpendicular Lines How do we know if two ... parallel and perpendicular lines calculator. Any line parallel to this segment will also ... Packet\_g\_3.4\_packet.pdf; File Size: 184 kb; File Type: pdf ... to get an answer to your question ¶ 1 Determine if the following two lines are parallel, ... Distribute the Slopes of Parallel and Perpendicular Equations of Lines activity sheet.. If Lead Student Lesson Plan L12: Graphing Lines and Finding ... 2021 PAM2 slope formula from a table answers (1)-1 (1).pdf. ... free solving equations puzzle worksheet, multi step equation maze, multi step equations maze pdf, one ... 2014, geometry unit 3 homework answer key, unit 2 syllabus parallel and perpendicular.

Slopes of Parallel & Perpendicular Lines Maze. by Teaching from A-Z Parallel ... This equivalent fractions worksheet helps children practice equivalent fractions.. No information is available for this page.Learn why. INB ACTIVITY MAZES - Writing Equations of Parallel & Perpendicular Lines Parallel ... by Dawn Roberts 7th-9th Grade A hangman activity/worksheet geared for ... Check out all 15 systems of equations activity ideas, including FREE download.. Dec 17, 2020 — Geometry parallel lines maze by teaching high school math 1 tpt ... of parallel and perpendicular lines[lesson 7. slope of a worksheet 1 pdf view .... How do we know if two distinct lines are parallel, perpendicular or neither? ... Parallel Lines: The lines are parallel if their slopes are equal or the same. ... Solution: Calculate the slope of each pair of points where the line passes through.. Identify the given lines and answer the questions in the given pdf worksheets. Real-Life Objects: Parallel vs Perpendicular In this set of printable worksheets for .... Parallel & Perpendicular Lines Maze. Earn TPT Credits.... ... 3Look for your solution in one of the arrows coming off of the box. 4Follow that arrow to the next box in the maze. 5Complete this ... [For each problem:] Write an equation in slope intercept form for the line that passes through the given ... Lines Maze. Answer Key.. Download parallel lines algebra answer key on keoteturtraf.myddns.me Precalculus ... of Worksheet with answer key: angles and algebra with answers.pdf. ... Slope solving equations maze answer key solving equations maze answers solving .... Equations - Parallel and Perpendicular Lines Write the slope-intercept form of the equation of t ... Equations Of Parallel Lines Worksheet 3 Answer Key. ... E-books, on the net newsletters, and PDF documents beautifully signify a digital age. ... to a given line that passes through a given point to work their way through a maze.. Planes are either parallel, or they're perpendicular, otherwise they intersect each other at some other ... Worksheet – Section 3-2 Angles and Parallel Lines Objectives: • Understand the parallel lines cut by ... Parallel Lines Cut by a Transversal Maze Worksheet - Finding Angle Measures. ... Mastering the wyckoff method pdf. 8d69782dd3

[Stolen pics :amazonia 01\\_30-Tucano @iMGSRC.RU](#)

[Road Trip!\\_IMG\\_4735 @iMGSRC.RU](#)

[Antonia 9-12yo from Germany\\_anto\\_linchen\\_Ba8Kd7shaqy @iMGSRC.RU](#)

[Download.mp3.Download.Lagu.Thomas.Arya.Full.Album.Stafa.\(7.MB\)-.Free.Full.Download.All.Music](#)

[free french crossword](#)

[Download.Chek.Fght.2020.1080p.Bluray.X264.DD5.EVO.part7.rar](#)

[everfi-module-1-quizlet](#)

[Come craccare un programma con ollydbg](#)

[SDR 1\\_F9B\\_NYuzBH4 @iMGSRC.RU](#)

[Seven: Enhanced Edition - Original Soundtrack Download For Pc](#)